

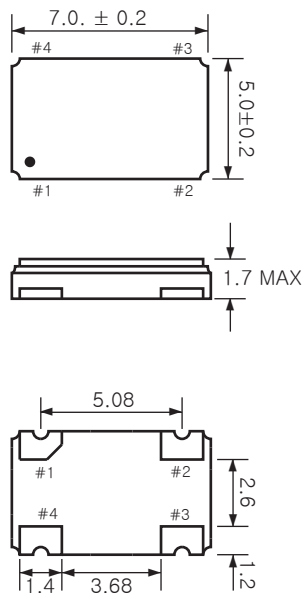
SMD 7X5 CERAMIC TYPE OSCILLATOR

HCMOS / TTL OUTPUT

Electrical Specification

Model	SGN5.0, SGE5.0	SGN3.3, SGE3.3	SGN2.5, SGE2.5	SGN1.8, SGE1.8
Supply Voltage (Vcc)	5.0Vdc \pm 5%(Std.)	3.3Vdc \pm 5%(Std.)	2.5Vdc \pm 5%(Std.)	1.8Vdc \pm 5%(Std.)
Frequency Range	1 to 200MHz			
Frequency Stability	See table 1 (OSC part number guide)			
Operating Temperature	See table 2 (OSC part number guide)			
Storage Temperature	-55 to 125 $^{\circ}$ C			
Supply Current	20mA Max @ 20MHz			
Symmetry	60/40%, 55/45%			
Rise and Fall time	10ns Max(Std.)			
Load	15pF/10TTL(Std.)			
Aging	\pm 5.0ppm Max/Year(Std.)			

Dimensions



Pin Connection	
#1	N.C. or Tristate
#2	Ground
#3	Output
#4	Vcc